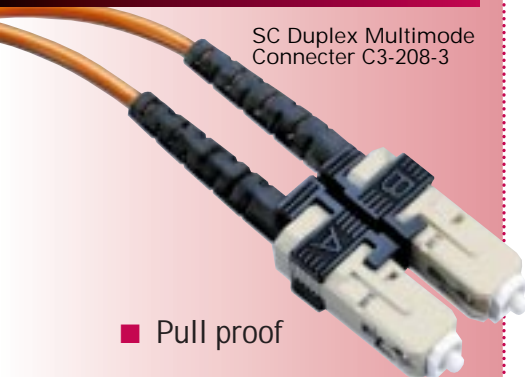


308 Series SC Fiber Optic Connectors



FEATURES

SC Duplex Multimode Connector C3-208-3



- Pull proof
- Meets ISO/IEC 11801 and TIA 568A performance standards.
- Pre-assembled option simplifies field termination
- Polymer ferrules available for a variety of fiber sizes
- Pre-radiused ceramic ferrules configured for "Ultra" and "Super" PC Polishing
- Bend relief boots meet Bellcore TR-NWT-000326 side load specification
- Terminates with same tools as ST® and FC
- Duplex clip available separately
- Dust Cover with lanyard (optional) stays with the connector

Methode® 308 Series SC connector products are designed and manufactured to meet JIS, IEC EIA/TIA and ANSI specifications for intermateability and optical performance. This Methode SC connector features a unique grip housing and a pre-assembled plug body for easy termination.

The duplex clip positions two SC connector ferrules on 0.5" (12.7mm) centers. The duplex configuration is compliant with ANSI X3T11 Fibre

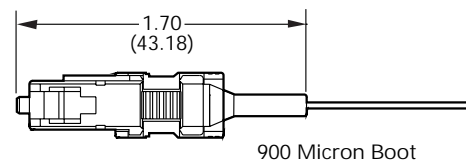
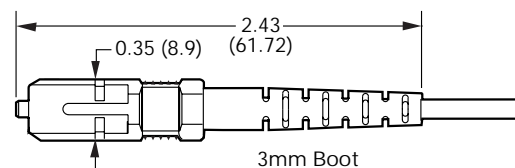
Channel specifications.

This Methode SC connector has unsurpassed float and duplex plugging characteristics. Our 308 Series SC connectors are installed using Methode 900 Series universal termination tooling and consumables. The Universal Polishing Disk can handle up to four (4) simplex SC plugs at one time. When combined with the Methode Quick-Cure™ adhesive system, connector termination takes less than two (2) minutes.

PERFORMANCE CHARACTERISTICS*

- Insertion Loss* (dB):
Multimode ≤ 0.2
Single mode ≤ 0.2
- Durability (500 cycles):
≤ 0.1 dB
- Temperature Range:
Operating: -40° to 85°C

**Typical at 850 nm wavelength using 62.5/125 micron fiber*



Dimensions: inches (mm)

MATERIALS

- Grip and Plug Body: Thermoplastic (reinforced, flame retardant)
- Boot: Thermoplastic Rubber (flame retardant)
- Rear Body: Zinc alloy, nickel plated
- Ferrule: Zirconia Ceramic or Polymer
- Crimp Sleeve: Brass, tin plated
- Dust Cover: Vinyl

ORDERING INFORMATION

	COLOR	PART NO.
SC Duplex Clip	Black	308-107-3092
Dust Cover w/lanyard	Black	900-111-2006

SIMPLEX PART NUMBER	COLOR		FIBER SIZE (MICRON)	FERRULE	
	GRIP	BOOT		MATERIAL	MODE
D3-004-3	Black	Black	62.5/125	Polymer	Multimode
D3-204-3	Beige	Black	62.5/125	Polymer	Multimode
C3-A04-1	Green	Green	9/125	Ceramic	APC
C3-004-1	Blue	Yellow	9/125	Ceramic	Single mode
C3-004-3	Black	Black	62.5/125	Ceramic	Multimode
C3-204-3	Beige	Black	62.5/125	Ceramic	Multimode

Individually packaged, add "-B" suffix to part number for bulk packaging



The Americas

7444 W. Wilson Avenue
Chicago, IL 60656 U.S.A.
708.867.9600 Fax: 708.867.9621

800.323.6858
www.methode.com

F02005-8190



308 Series SC Couplings and Hybrid Adapters



FEATURES

SC/ST® Multimode Hybrid Adapters



308-294-03 Duplex

308-292-03 Simplex

- SC to SC, FC and ST®
- Simplex and duplex panel cutouts
- Panel clip for easy installation
- Available in several standard colors
- Available without flanges, call factory for part number

MATERIALS

- Body, Latch and Dust Caps: Thermoplastic (flame retardant)
- Clip: Spring Steel

SC/FC Multimode Hybrid Adapters



308-144-03 Duplex

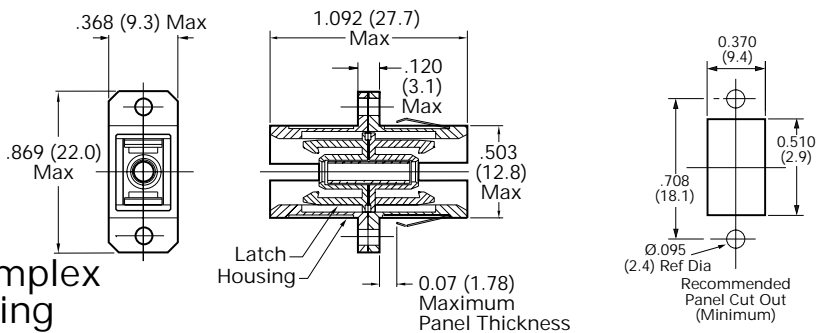
308-142-03 Simplex



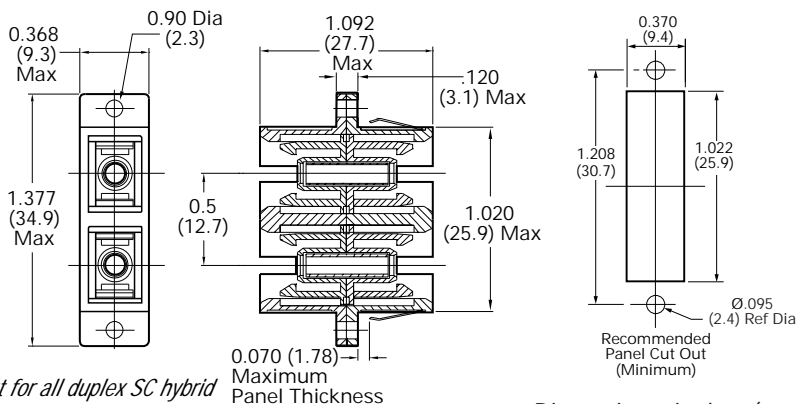
The Americas

7444 W. Wilson Avenue
Chicago, IL 60656 U.S.A.
708.867.9600 Fax: 708.867.9621

800.323.6858
www.methode.com



SC Simplex Coupling



SC Duplex Coupling

Identical panel cutout for all duplex SC hybrid adapters and couplings

Dimensions: inches (mm)

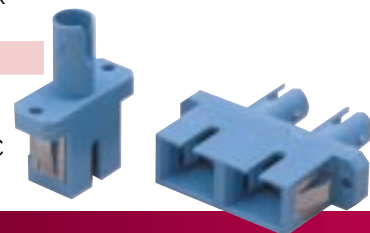
COUPLING AND ADAPTER PART NUMBERS

308-XXX-0X

Application	Alignment Sleeve Material
1 = SM	ZIRCONIA CERAMIC
2 = SM/MM	PHOSPHOR BRONZE
3 = SM/MM	POLYMER

Style
2 = SIMPLEX
4 = DUPLEX

SC to
0 - SC
4 - FC
7 - FC/APC
9 - ST®



Individually packaged, add "-B" suffix to part number for bulk packaging.

CONNECTOR TERMINATION TOOLS & ACCESSORIES

Universal Termination Kit with oven, 110V*	900-118-3010
Universal Termination Kit with oven, 220V*	900-118-3014
Universal Polishing Disk	900-118-1404
Quick-Cure™ Anaerobic Consumables Kit (completes 200 terminations)	900-118-9024
Quick-Cure™ Anaerobic Adhesive	900-118-9030
Consumables Replacement Kit (100 terminations)	900-118-9017

*110V - USA and Canada, 220V - Europe,

ST is a registered trademark of Lucent Technologies, Inc.
Methode is a trademark of Methode Electronics, Inc.

Europe

Boundary Road
Haverhill, Suffolk
England, U.K., CB9 7UJ
+44(0) 1440 712525
Fax: +44(0) 1440 712542

Optokon Company, Ltd.
Antonínův Důl 250
586 02 Jihlava, Czech Republic
+420 66 7210722
Fax: +420 66 7211198

Asia Pacific

Unit 8, #175 Gibbes Street
Chatswood 2067 NSW
Australia
(61 2) 9417 3500
Fax: (61 2) 9417 3810

F02006-8190

